



# Wall-Mounted Heated-Glass Towel Warmer

## MODEL: LHGTW-24

### Owner's Manual

### Instructions & Installation Procedures

*READ AND SAVE THESE INSTRUCTIONS*

*INSTALLER: THESE INSTRUCTIONS SHOULD BE LEFT WITH THE OWNER*

### *SAFETY FIRST*

**CAUTION:**

1. Read this entire instruction manual thoroughly before beginning installation and save these instructions.
2. Thermique™ Technologies requires that a licensed electrician professionally install the Towel Warmer.
3. **BE CERTAIN ELECTRICITY IS SHUT OFF AT MAIN PANEL BEFORE INSTALLING, WIRING or SERVICING your Towel Warmer.**
4. Your Thermique™ Heated-Glass Towel Warmer must be properly grounded. All wiring must be in accordance with the National Electric Codes and Local Codes.
5. Follow instructions accurately to make certain the Towel Warmer is properly attached to the wall. **FAILURE TO FOLLOW THESE STEPS COULD RESULT IN MALFUNCTION AND/OR INJURY.**
6. This Towel Warmer is not intended for installation in a shower or other wet areas.
7. To avoid possible fire hazard, please use caution when placing delicates or other fine materials on the Towel Warmer. **WATCH** the fabric for visual or smell warning of smoking fire hazard.

# Wall-Mounted Heated-Glass Towel Warmer

## MODEL: LHGTW-24

### Installation and Operating Instructions

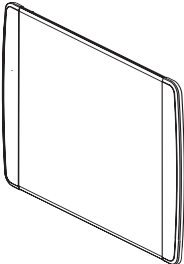
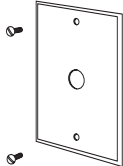
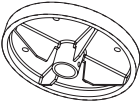
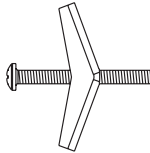

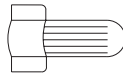
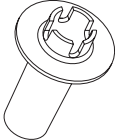

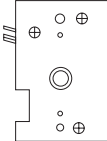
#### READ COMPLETELY BEFORE BEGINNING

#### STEP 1: INSPECT THERMIQUE TOWEL WARMER

- A. Unpack the Thermique Heated-Glass Towel Warmer carefully to avoid any damage or loss of any part. Before assembling and installing your towel warmer, remove all parts from the shipping carton and check them against the parts list below. Before discarding packing material, be certain that all parts are present.
- B. If the Thermique Heated-Glass Towel Warmer appears damaged in any way, please return it to the store where it was purchased, call Thermique customer service at 312-326-9193, or contact your local authorized Thermique dealer for assistance in obtaining service. For service, a pre-authorization is required before returning the Towel Warmer or Towel Warmer parts.

**WARNING**  NEVER INSTALL OR OPERATE A DAMAGED TOWEL WARMER.

**Parts List:** For proper installation, performance, and warranty coverage, use only genuine Thermique parts.

 <p>Part #: <b>HGSA00176-X</b> Description: <b>Towel Warmer Assembly</b> Quantity: 1</p>	 <p>Part #: <b>HGMM00061-1</b> Description: <b>Switch Cover Plate</b> Quantity: 1</p>																
 <p>Part #: <b>HGMM00004-1</b> Description: <b>Mounting Bracket</b> Quantity: 4</p>	 <p>Part #: <b>HGMM00005-X<sup>1</sup></b> Description: <b>Toggle Bolts</b> Quantity: 8</p>																
 <p>Part #: <b>HGMM00005-X<sup>1</sup></b> Description: <b>Mounting Bracket Cover</b> Quantity: 4</p>	 <p>Part #: <b>HGMM00006-X<sup>1</sup></b> Description: <b>Wire Nuts</b> Quantity: 4</p>																
 <p>Part #: <b>HGMM00006-X<sup>1</sup></b> Description: <b>Mounting Posts</b> Quantity: 4</p>	 <p>Part #: <b>HGMM00093-1</b> Description: <b>Wood Screws</b> Quantity: 8</p>																
 <p>Part #: <b>HGCT00169-1</b> Description: <b>Controller</b> Quantity: 1</p>	<p><sup>1</sup> When ordering replacement parts, use these codes (part no. - X) to specify hardware finish options.</p> <table border="1"> <thead> <tr> <th>-X</th> <th>Finish</th> <th>-X</th> <th>Finish</th> </tr> </thead> <tbody> <tr> <td>-1</td> <td>Polished Nickel</td> <td>-4</td> <td>Oil Rubbed Bronze</td> </tr> <tr> <td>-2</td> <td>Rustic Bronze</td> <td>-5</td> <td>Brushed Nickel</td> </tr> <tr> <td>-3</td> <td>Polished Brass</td> <td>-7</td> <td>Chrome</td> </tr> </tbody> </table>	-X	Finish	-X	Finish	-1	Polished Nickel	-4	Oil Rubbed Bronze	-2	Rustic Bronze	-5	Brushed Nickel	-3	Polished Brass	-7	Chrome
-X	Finish	-X	Finish														
-1	Polished Nickel	-4	Oil Rubbed Bronze														
-2	Rustic Bronze	-5	Brushed Nickel														
-3	Polished Brass	-7	Chrome														

## STEP 2: PREPARE TO INSTALL THE THERMIQUE HEATED-GLASS TOWEL WARMER

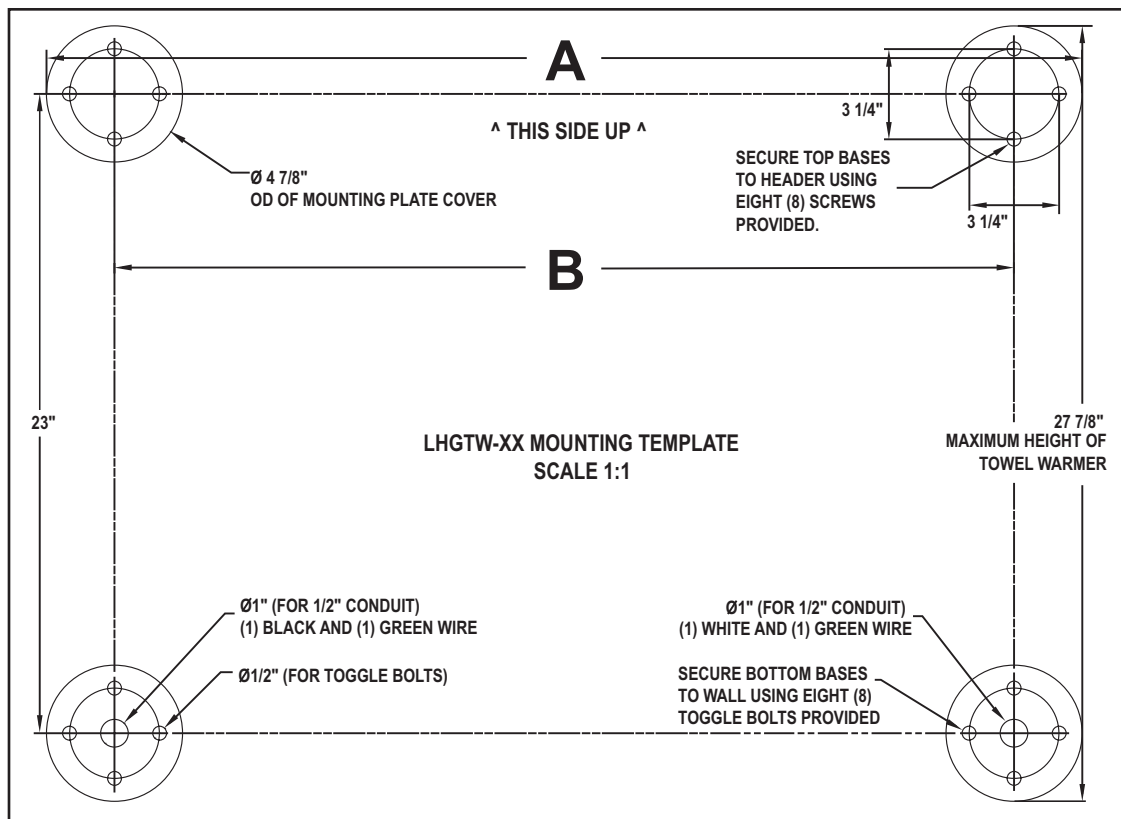
- A. **CAUTION:** A licensed electrician MUST professionally install the Thermique Towel Warmer.
- B. To properly ground the Towel Warmer, ALL wiring must be in accordance with the National Electric Codes and Local Codes.
- C. Choose wall locations for both the Towel Warmer and the Controller.

**NOTE: The Towel Warmer comes with 10' of wire. If you choose to locate the controller further than 10' from the Towel Warmer, an additional, intermediate junction box is needed.**

- D. Install the controller junction box.

**NOTE: The controller is approved for installation in a standard size, single-gang junction box. However, if the controller is installed in a metal box with conduit connections, we recommend using a dual-gang box with a single-gang mud-ring to allow extra space for connections.**

- E. On your chosen wall location and using (Fig 1), mark the locations of the upper and lower Mounting Bracket screw/bolt holes. Attach a horizontal header across the points where the upper Mounting Brackets will be installed. Make sure the locations of the lower Mounting Brackets match up with the wiring.
- F. Install electrical conduit between the controller junction box, intermediate junction box (if used) and each of the lower brackets of the Towel Warmer as required by applicable electrical codes. The holes in the finished wall surface for the conduit corresponding to each of the lower Mounting Bracket center holes should be between 5/8" - 3/4".
- G. The Towel Warmer is designed to be installed by directly attaching the two lower Mounting Brackets to standard 1/2" electrical conduit using the small screws on the bracket. The toggle bolts are then used to secure the bracket to the wall (Fig 2). The conduit must be installed so that it aligns with the center holes of the lower Mounting Bracket locations, as indicated on (Fig 1). The conduits should protrude a minimum of 1" and no more than 1 1/2" from the finished wall surface. Make sure the conduit is level and plumb across the centers of the protruding ends.



For LHGTW-24

A = 24"

B = 19 1/8"

Figure 1

### STEP 3: TOWEL WARMER INSTALLATION

- A. Using (Fig 1) as your guide, locate and secure the top Mounting Brackets to the horizontal header using the (8) round slotted wood screws provided (Fig 3). The screws should protrude a minimum of 1" into the header. Use suitable replacement screws if the screws provided are not long enough.
- B. Using (Fig 1) as your guide, make sure that each conduit, or cable run, is aligned in the appropriate location for each of the corresponding lower Mounting Bracket locations. Drill 1/2" holes for (8) toggle bolts. Now secure the lower Mounting Brackets to the wall using (8) toggle bolts provided.

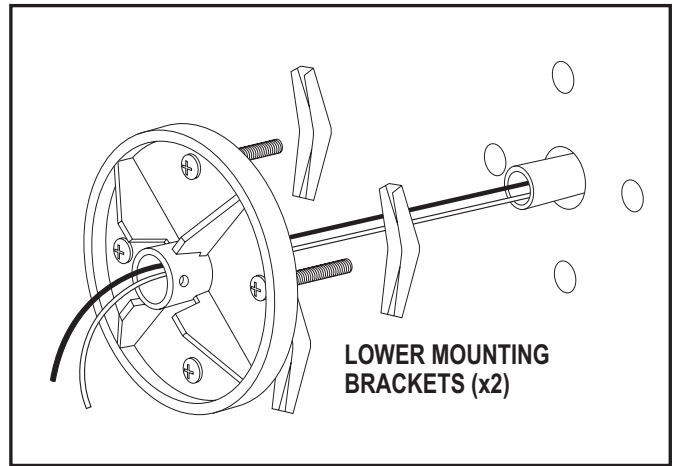


Figure 2

- C. Using (Fig 4) as your guide, slide the Mounting Posts through the hole in the Mounting Bracket Covers. Then take each Mounting Post and hand-tighten each onto the threaded Towel Warmer tube. Be sure to screw the Mounting Posts entirely onto the threaded Towel Warmer tube. **DO NOT force or cross-thread the Mounting Post onto the Towel Warmer tube.**

#### NOTE: AN ASSISTANT IS RECOMMENDED FOR THE FOLLOWING STEPS

- D. Have an assistant hold the towel warmer against the wall and feed the wires from the lower Mounting Posts through the hole in the lower brackets and conduit (if used) to the controller box.

#### WARNING! DO NOT secure the small inner Mounting Bracket screws into the rigid conduit until after the final fitting of the Towel Warmer!

- E. With the top and bottom Mounting Posts facing the top and bottom Mounting Brackets, insert the Mounting Posts onto the Mounting Brackets. If necessary, slightly unscrew any posts so that the slots in all (4) Mounting Posts are aligned with the small screws on the inner portion of the Mounting Bracket.
- F. If all the Mounting Posts are not flush against the Mounting Brackets, then remove the Towel Warmer completely from all (4) Mounting Brackets and unscrew the uneven Mounting Posts from the Towel Warmer until the ends of all (4) Mounting Posts are flush with the wall.

#### NOTE: The Mounting Posts SHOULD NOT be unscrewed more than 1/4" from the Towel Warmer.

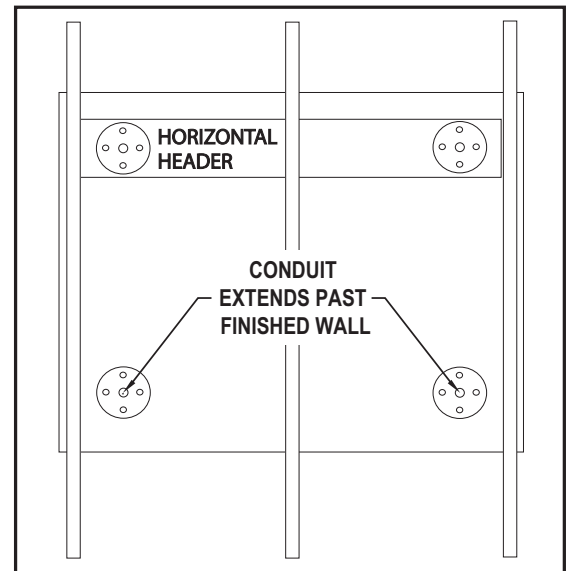


Figure 3

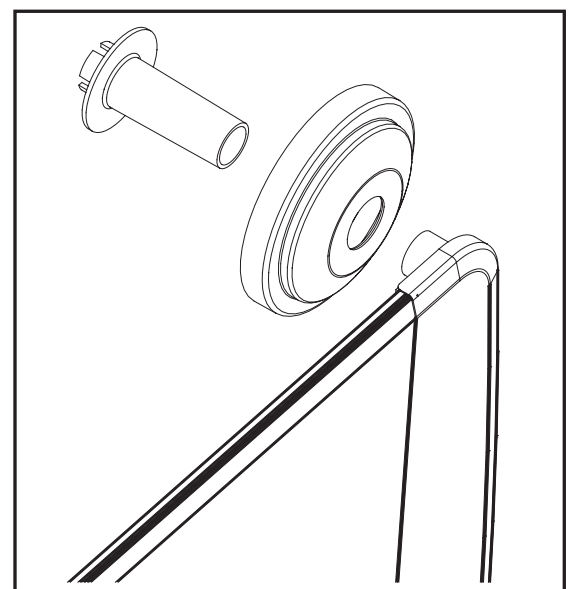


Figure 4

- G. Once the Mounting Brackets and Mounting Posts are aligned and adjusted so the posts are all flush with the brackets, tighten the small inner screw on the bottom Mounting Brackets into the conduit.
- H. Now align the Mounting Bracket Covers over the Mounting Brackets and HAND TIGHTEN clockwise.

**STEP 4: ELECTRICAL CONNECTIONS**

**CAUTION: The temperature of the item on the Towel Warmer is conditional on the ambient temperature and the amount of material hung.**

- A. All wiring must conform to national and local codes, which may vary by locale. The Towel Warmer requires 120 VAC, 60 Hz power supply. The maximum current draw of the Towel Warmer is 3 amps.
- B. Make electrical connections per wiring diagram (Fig 5) and National Electric or Local Codes.

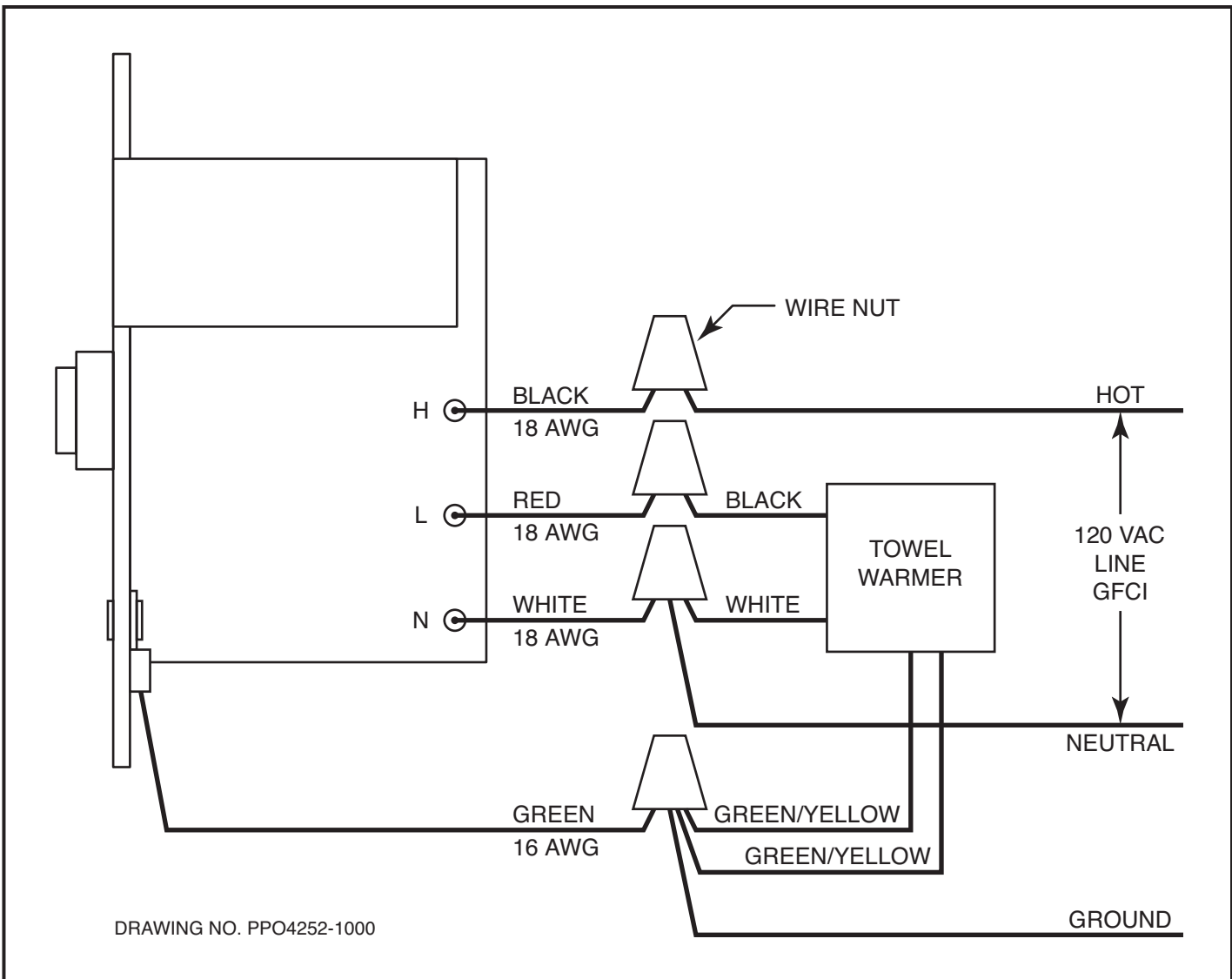


Figure 5

### ***Manufacturing Limited Warranty***

Thermique™ heated-glass towel warmers are warranted to the original consumer purchaser to be free from manufacturing defects for 3 years from the date of purchase when installed by a licensed electrician in accordance with Thermique's written instructions. This warranty is void if the product is damaged by accident, improper use or other causes, or if the product is altered in any way.

*Limitations:* This limited warranty covers repair or replacement of the Thermique heated-glass towel warmer, or a refund of the original selling price only, at Thermique's option. It does not cover scratches, damage from harsh cleaning products, breakage, labor, or any incidental or consequential damages. Any warranties implied by law are limited to the duration of the 3 year limited warranty.

### ***Finish Limited Warranty***

Thermique™ manufactures three categories of frame finishes, Lifetime, Quality and Special. Thermique offers a limited warranty on the Lifetime and Quality finishes. There is no warranty for the Special finish because this finish is designed to change over time. Thermique warrants to its original consumer purchaser that the Lifetime finish will not tarnish for as long as the original purchaser owns the heated-glass towel warmer. Thermique warrants to its original consumer purchaser that the Quality finish will not tarnish for three years from the date of purchase. This warranty is void if the product is damaged by accident, improper use or other causes, or if the product is altered in any way.

*Limitations:* The warranties described above cover repair or replacement of the Thermique heated-glass towel warmer, or a refund of the original selling price only, at Thermique's option. It does not cover scratches, damage from harsh cleaning products breakage, labor, or any incidental or consequential damages.

### ***Your Rights Under State Law***

Some states do not allow limitations on implied warranties or the exclusion or limitation of incidental or consequential damages, so the above exclusions or limitations may not apply to you. This limited warranty gives you specific legal rights, and you may also have other rights that vary from state to state.

Thermique must authorize any product repair or return. For warranty claims, contact the store showroom you originally purchased the glass towel warmer or Thermique Customer Service, Thermique Technologies, LLC, 2857 S. Halsted Street, Chicago, Illinois 60608, (866) 469-0426.

**thermique™**

Thermique Technologies, LLC  
2857 S. Halsted Street, Chicago, IL 60608  
(866) 469-0426

[www.thermiquetechnologies.com](http://www.thermiquetechnologies.com)